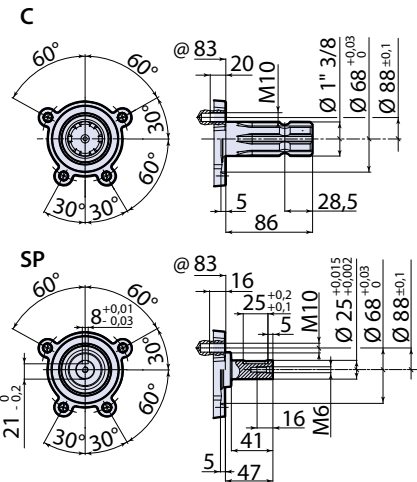
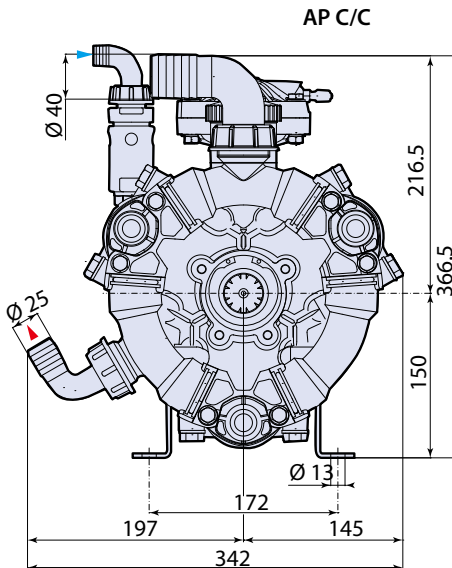
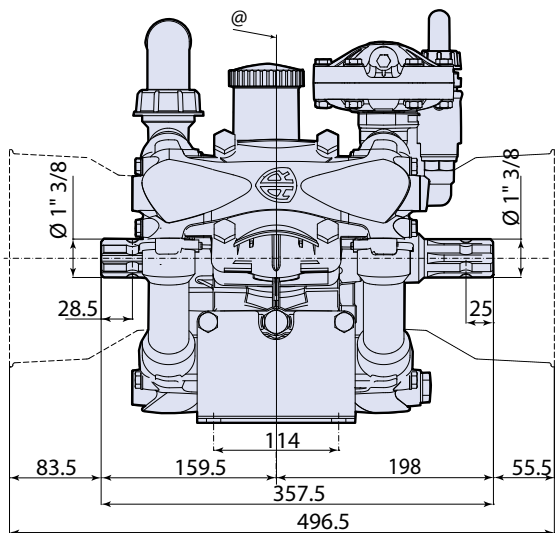




# AR 120 BP - AR 140 BP



@ = Pump axis - 泵中心线